



# FOOD WARMERS {MERCHANDISERS} BUTTER SERVER, AUTOMATIC

Model BSA

Date:

Project:

Quantity:

Item Number:



Server Products equipment is backed by a two-year limited warranty against defects in materials and workmanship. For our complete warranty statement, see our web site or contact us.

## Bid Description

Butter Server Automatic is constructed of stainless steel with a brushed (#4) finish and a durable black plastic hinged lid. The trigger bar automatically dispenses portions of 4.5 mL. Unit comes complete with an exclusive 3½ quart (3.3 L) stainless steel bowl (05274) and an attention-grabbing, wrap-around graphic. Includes flavor decals to indicate Real Buttered Popcorn or Golden Flavored Popcorn. Base is now 3" (7.6 cm) taller to accommodate taller popcorn containers.

An adjustable precalibrated thermostat controls a 350 watt heating element. Temperature settings—marked on the name-plate—range from 85° F (30° C) to 185° F (85° C). Power is controlled with an ON/OFF rocker switch.

## Standard Features

Trigger bar automatically dispenses accurate 4.5 mL portions for hands-free dispensing

Exclusive 3½ qt (3.3 L) stainless steel bowl

Adjustable precalibrated thermostat keeps butter at desired temperature and consistency

Now 3" (7.6 cm) taller for today's taller popcorn containers

350 watt heating element provides reliable heating and holding

Real Buttered Popcorn and Golden Flavored Popcorn decals

Cleaning brush is included for unit maintenance

## Butter Server Automatic Accessories

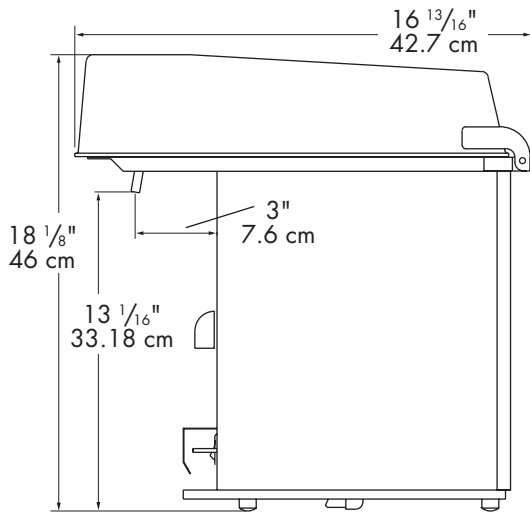
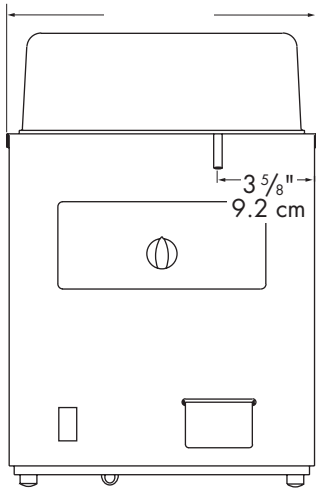
- 3½ qt (3.3 L) Stainless Steel Bowl 05274
- Cleaning Brush 82526



# FOOD WARMERS {MERCHANDISERS} BUTTER SERVER, AUTOMATIC

Model BSA

## Butter Server Automatic BSA 05000



## Specifications

Model	BSA 05000			
Construction	Stainless steel with a brushed (#4) finish and a durable plastic hinged lid.			
Capacity	3½ qt (3.3 L) capacity			
Dimensions		<u>Height</u>	<u>Width</u>	<u>Depth</u>
	in	18 1/8	11 9/16	16 13/16
	cm	46	29.4	42.7
Electrical	120V, 60Hz, 375W, 3.1 A 72 in (183 cm) cord set NEMA 5-15P, 15A, 125V PLUG			
Weight	26 lb (11.8 kg)			

FOB Richfield, Wisconsin 53076

## CAD Library

Individual CAD images can be downloaded from product pages on our web site. We are also a member of The KCL CADalog with more than 100 other manufacturers. Our complete collection of CAD files can be purchased through Kochman Consultants, Ltd. at [kclcad.com](http://kclcad.com).

