



COLD FOOD HOLDERS THERMOELECTRIC CHILLERS

Models CC, ECC



**CC 86070
Countertop Chiller**



**ECC 86063
Dairy Chiller**

Bid Description

Both the Countertop and Dairy Chiller are designed with thermoelectric technology to cool up to 2 quarts (1.9 L) of condiments, garnishes or dairy (ECC). Both are constructed of brushed stainless steel with a black thermoset plastic rim and clear plastic lid.

The solid-state cooling method provides quiet operation and holds product below 41° Fahrenheit (5° C) indefinitely. The anodized aluminum serving vessel is included. An ON/OFF rocker switch controls the cooling mechanism.

Used in conjunction with an auto-frothing attachment, the Dairy Chiller, ECC accepts a hose directly from an espresso machine into a 5/16ths (7.9 mm) hole in the lid.

Standard Features

Thermoelectric operation assures quiet operation and maximum energy efficiency

Removable anodized aluminum serving vessel for easy cleanup

Holds indefinitely below 41°F (5°C) — to keep your product fresh and cold

Durable stainless steel and plastic construction

Clear lid permits monitoring levels without opening

12 foot (3.7 m) power cord

Two quart (1.9 L) capacity



Warranty

Server Products equipment is backed by a two-year limited warranty against defects in materials and workmanship. For a copy of our complete warranty statement, see our web site or contact us.



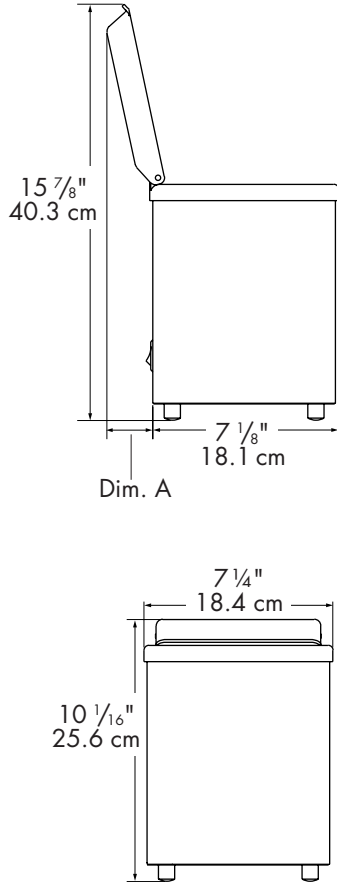
ALSO AVAILABLE
FOR EXPORT



COLD FOOD HOLDERS THERMOELECTRIC CHILLERS

Models CC, ECC

Chillers



Specifications

Model	CC 86070			
Construction	Unit is stainless steel and black ABS plastic with a clear plastic lid. Includes removable anodized aluminum serving vessel.			
Capacity	2 quart (1.9 L)			
Dimensions	<u>Height</u>	<u>Width</u>	<u>Depth</u>	<u>Dim. A</u>
	in	10 1/16	7 1/4	7 1/8
	cm	25.6	18.4	18.1
	Height with lid open: 15 7/8" (40.3 cm)			
Electrical	Power supply converts 120V 1 Amp AC to 12V DC power with 12' (3.7 m) power cord. NEMA 5-15P, 15A, 125V PLUG			
Weight	12 lb (5.4 kg) including power supply			
Model	ECC 86063			
Construction	Same as above except: A 5/16ths (7.9 mm) hole in the lid accepts a hose directly from an espresso machine.			

FOB Richfield, Wisconsin 53076

CAD Library

Individual CAD images can be downloaded from product pages on our web site. We are also a member of The KCL CADalog with more than 100 other manufacturers. Our complete collection of CAD files can be purchased through Kochman Consultants, Ltd. at kclcad.com.

