



FOOD WARMERS {MERCHANDISERS} BUTTER SERVERS, SUPREME™

Models **BS-SS**
BSW-SS
BSWI-SS

Date:

Project:

Quantity:

Item Number:



BSW-SS 86540



BS-SS 86520

Bid Description

Supreme™ butter servers feature rounded corners and are constructed of brushed (#4) stainless steel bodies with black thermoset plastic bottom and top. Each dispense directly from a supplied 3 quart (2.8 L) stainless steel jar. Pump features a cast valve body and welded construction. Pump yields 1 ounce (30 mL) with gauging collars supplied to reduce the yield in ¼ ounce (7 mL) increments. Includes magnetic Butter merchandising sign (86791).

An adjustable, precalibrated thermostat controls the heating element. Each feature a "Power On" light and water fill line.

The BSW-SS is designed with pump and spout warmer opposite the instrument panel side. BSWI-SS has spout warmer on the instrument panel side. An On/Off rocker switch controls power to the unit. Each has 517 watts.

BS-SS has 500 watts and includes pump without spout warmer.

Standard Features

Pump design prevents loss of valve balls

Pump yields 1 oz (30 mL) with portion control in ¼ oz (7 mL) increments

Adjustable, precalibrated thermostat for accurate heat control

Temperature marks on knob with protective knob guard

Water fill line eliminates overflow accidents

Includes magnetic Butter merchandising sign

Butter Server Accessories

- 3 qt (2.8 L) Stainless Steel Jar 94009
- Stainless Steel Jar, Storage Lid 94008



Warranty

Server Products equipment is backed by a two-year limited warranty against defects in materials and workmanship. For a copy of our complete warranty statement, see our web site or contact us.

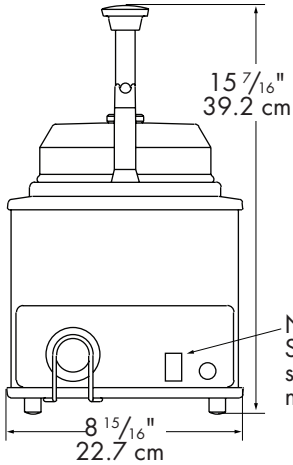
Specifications on reverse side



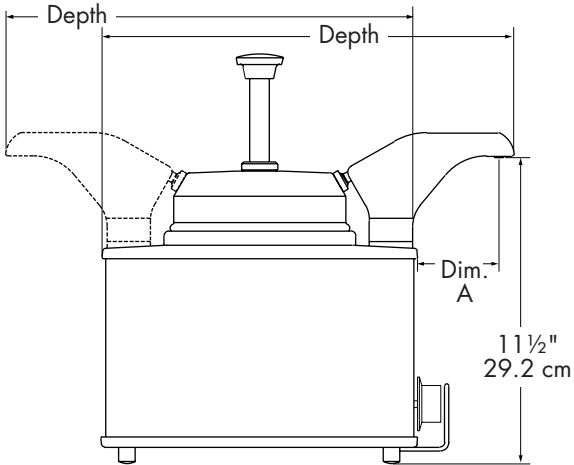
**FOOD WARMERS {MERCHANDISERS}
BUTTER SERVERS, SUPREME™**

**Models BS-SS
BSW-SS
BSWI-SS**

Supreme™ Butter Server with Spout Warmer and Pump



Note: Switch on spout warmer models only.



Specifications

Construction	Stainless steel base with black thermoset plastic bottom and top. Pumps feature a rugged cast valve body and welded construction.
Capacity	Stainless steel jar holds 3 quarts (2.8 L), (not included).
Electrical	120V, 60Hz, 72 in (183 cm) cord set NEMA 5-15P, 15A, 125V PLUG

Models	BSW-SS 86540	BSWI-SS 86560	BS-SS 86520
Height	in 15 7/16 cm 39.2	in 15 7/16 cm 39.2	in 15 7/16 cm 39.2
Width	in 8 15/16 cm 22.7	in 8 15/16 cm 22.7	in 8 15/16 cm 22.7
Depth	in 15 1/2 cm 39.4	in 15 1/2 cm 39.4	in 15 1/8 cm 38.4
Dim. A	in 3 1/16 cm 7.8	in 3 1/16 cm 7.8	in 3 1/16 cm 7.8
Weight	16 lb 7.3 kg	16 lb 7.3 kg	15 lb 6.8 kg
Electrical	517 watts 4.3 amps	517 watts 4.3 amps	500 watts 4.2 amps

FOB Richfield, Wisconsin 53076

NSF Listed as a rethermalization unit to ensure food is quickly heated to a safe temperature before bacteria has an opportunity to grow.

CAD Library

Individual CAD images can be downloaded from product pages on our web site. We are also a member of The KCL CADalog with more than 100 other manufacturers. Our complete collection of CAD files can be purchased through Kochman Consultants, Ltd. at kclcad.com.

