



COLD FOOD HOLDERS THERMOELECTRIC CHILLERS

Model RCS

Date:

Project:

Quantity:

Item Number:



RCS 86850



ALSO AVAILABLE
FOR EXPORT



Warranty

Server Products equipment is backed by a two-year limited warranty against defects in materials and workmanship. For a copy of our complete warranty statement, see our web site or contact us.

Bid Description

The innovative EZ-Cream™ chilled cream dispenser features thermoelectric technology to hold cream and other dairy products below 41° F (5° C) indefinitely. Constructed of a black polycarbonate/ABS blend with a matte finish to resist fingerprints. The removable anodized aluminum serving vessel has a 2 quart (1.9 L) capacity.

The EZ-Cream™ dispenser incorporates advanced solid-state cooling technology to draw only 1 Amp and provide quiet operation. It features a lockable lid to help prevent tampering and one-touch operation. The removable serving vessel and drip tray make daily cleaning a breeze.

Standard Features

Thermoelectric operation assures quiet operation and maximum energy efficiency

Includes a removable anodized aluminum serving vessel

Locking lid with key for tamper-resistant operation

Holds indefinitely below 41° F (5° C) — to keep your product fresh and cold

Serving vessel with 2 quart (1.9 L) capacity

12 foot (3.7m) power cord

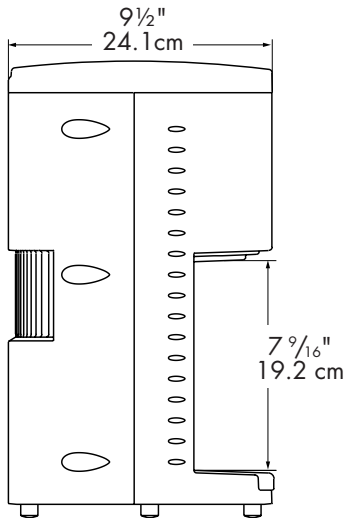
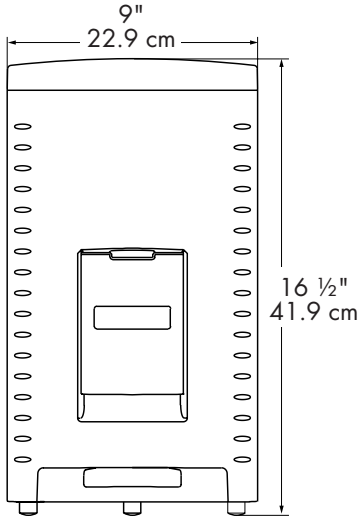
NSF Listed for Standard 20



COLD FOOD HOLDERS SQUEEZE BOTTLE HOLDERS

Model RCS

EZ-Cream™



Specifications

| | | | |
|--------------|---|--------------|--------------|
| Model | RCS 86850 | | |
| Construction | Thermoelectric chiller is a black polycarbonate/ABS blend with a matte finish. Includes removable anodized aluminum serving vessel. | | |
| Capacity | 2-quart (1.9 L) | | |
| Dimensions | <u>Height</u> | <u>Width</u> | <u>Depth</u> |
| | in | 9 | 9 1/2 |
| | cm | 22.9 | 24.1 |
| Electrical | Power supply converts 120V 1 Amp AC to 12V DC power with 12' (3.7 m) power cord. NEMA 5-15P, 15A, 125V PLUG | | |
| Weight | 13 lb (5.9 kg) including power supply | | |

FOB Richfield, Wisconsin 53076

CAD Library

Individual CAD images can be downloaded from product pages on our web site. We are also a member of The KCL CADalog with more than 100 other manufacturers. Our complete collection of CAD files can be purchased through Kochman Consultants, Ltd. at kclcad.com.

